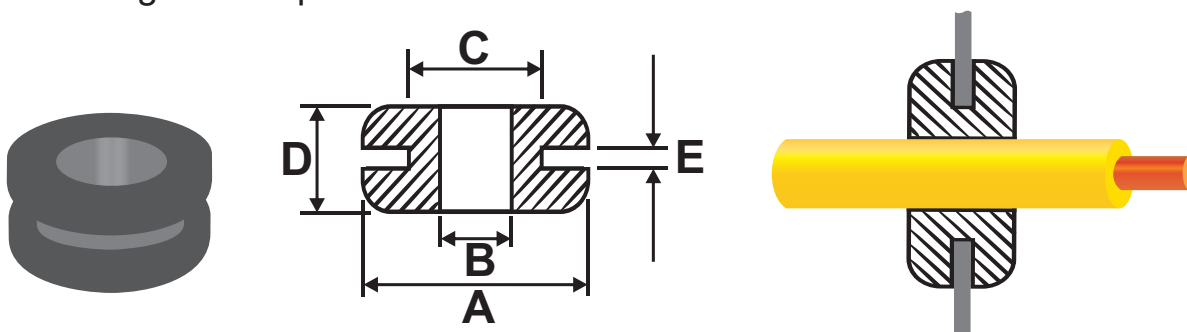


Passa Fio

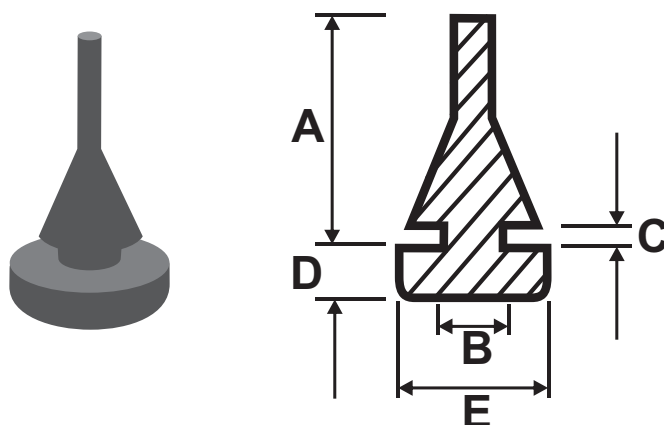
Utilizado como protetor de fios, cabos e mangueiras, quando passam por furos em chapas metálicas de painéis, quadros de comando de máquinas e equipamentos; evitando desgastes superficiais e curto circuitos.



	CÓDIGOS	100/00	105/35	110/01	115/21	120/21	130/27	135/23	145/33	150/25	160/26	165/24
A	DIÂMETRO	9,5	11,0	13,0	14,0	15,0	15,0	16,0	19,0	21,0	21,0	23,0
B	FURO FIO	5,0	5,0	6,4	6,4	8,0	8,0	10,0	10,0	8,0	5,0	12,0
C	FURO CHAPA	7,0	8,0	10,0	10,0	10,0	11,0	12,0	13,0	14,0	15,0	19,0
D	ALTURA	7,0	5,0	7,0	8,0	8,0	7,0	10,0	8,0	8,0	7,0	7,0
E	CANAL	0,5	1,0	3,0	1,0	1,0	1,0	1,0	1,5	2,0	1,0	1,0

Pezinhos

Utilizado como pezinhos em equipamentos eletrônicos, eletro portáteis e balanças de pequeno porte, também são usados como tampa furo e como batente em portões eletrônicos, dentre outras aplicações.



	CÓDIGOS	215/12	220/12	225/13	230/13	255/19						
A	ALTURA PONTA	15,0	12,0	13,0	14,0	15,0						
B	FURO CHAPA	5,0	3,5	7,9	7,9	6,5						
C	CANAL	2,0	1,5	0,5	0,5	1,0						
D	ALTURA BASE	4,5	4,5	6,5	6,5	12,0						
E	DIÂMETRO BASE	10,0	14,0	12,5	12,5	15,0						